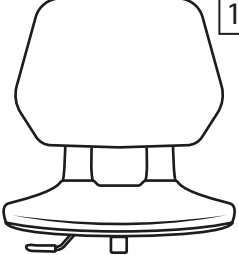
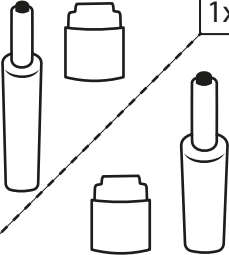
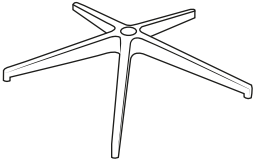
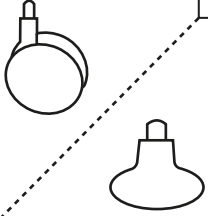

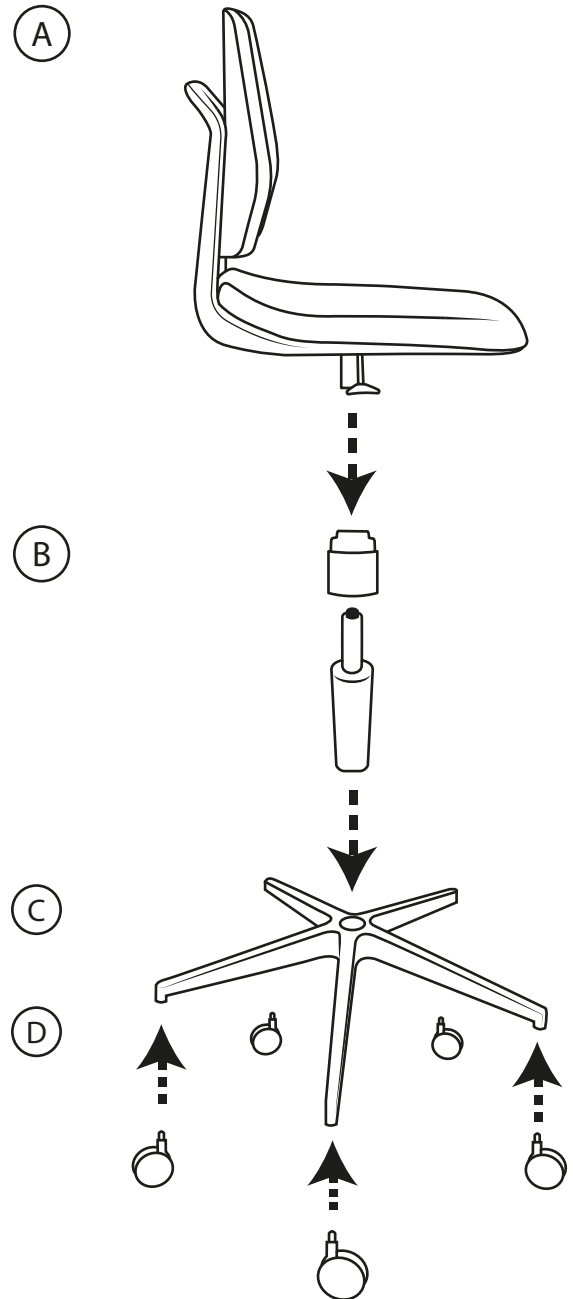
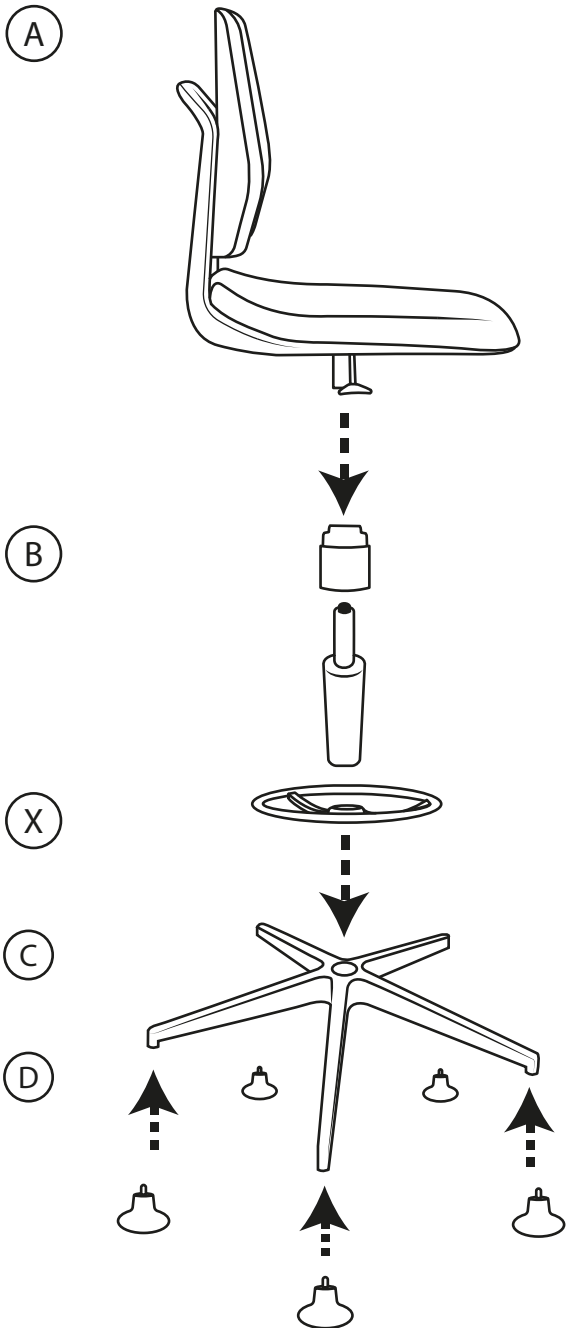
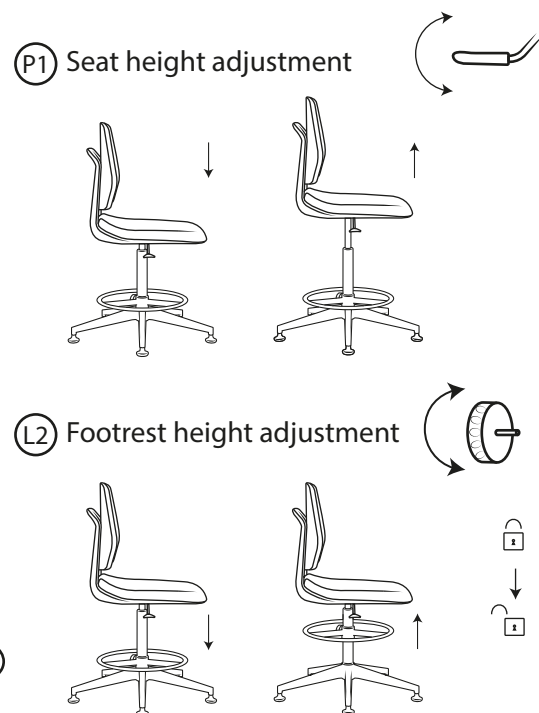
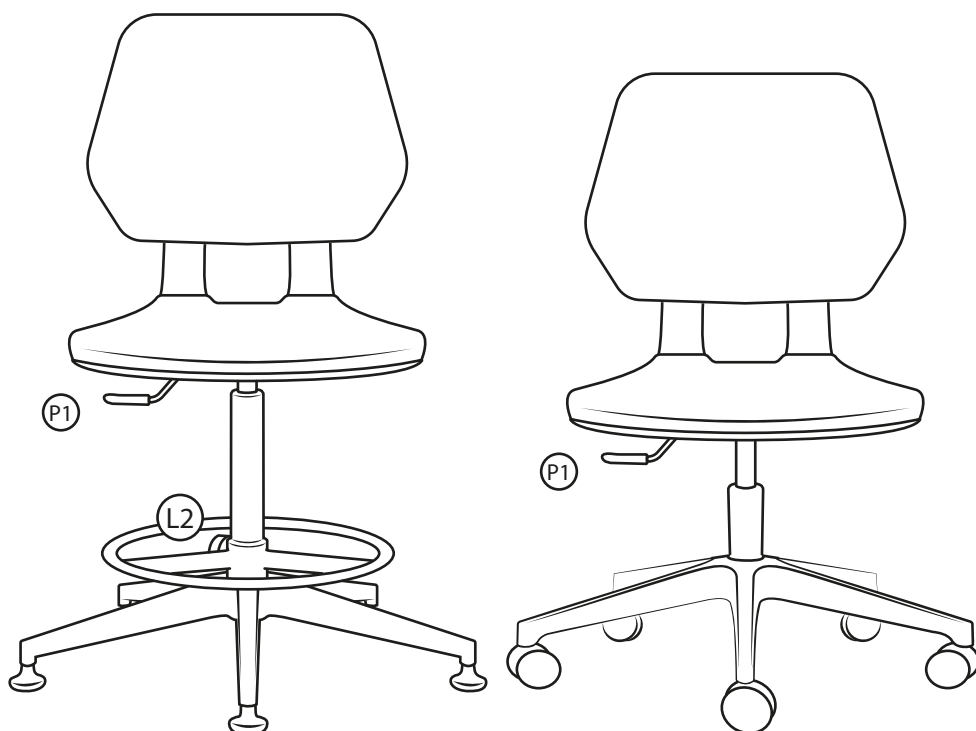


# 1260 ALLOY

A	 <span style="float: right;">1x</span>	 <span style="float: right;">1x</span>	 <span style="float: right;">1x</span>	 <span style="float: right;">5x</span>
X	 <span style="float: right;">1x</span>	APPLIES TO VERSION WITH EXTENSION/WITHOUT EXTENSION SHORT/LONG GAS LIFT		



## 1260 ALLOY



## MAINTENANCE

Maintenance of upholstery is carried out by wiping off dirt and spots with a damp cloth; in case of leather or leatherette please use a slightly watery cloth.

Warranty period is 36 months. During the warranty period, the manufacturer will replace free of charge all parts that have been damaged due to material defects or manufacturing errors. In these cases, the manufacturer replaces defective parts, not the entire armchair.

The warranty does not cover damages caused by:

1. Transportation (damages are the responsibility of the carrier)
2. Natural disasters
3. Incorrect assembly
4. Careless and inappropriate use
5. Non-compliance with the provided instructions

The chair in the version with a high gas lift has a load capacity 120 kg

